

35W-LSM Single Output Switching Power Supply
35W-LSM 单路输出开关电源

HF35W-LSM Series
HF35W-LSM 系列



99x82x30 mm



■ **Features 产品特性**

- Universal AC input/ full range 全范围电压输入
- Super slim, 30mm height, high reliability 超薄设计, 高度仅 30mm, 高可靠性
- Built-in EMI filter 内置 EMI 过滤器
- Top international brand components for key parts 关键元器件使用国际知名品牌元器件
- Protections: overload/ over voltage/ short circuit 保护方式: 过载保护、过压保护、短路保护
- 5 years limited warranty 五年有限质保
- High operating temperature up to 70°C 工作环境温度最高可达 70°C

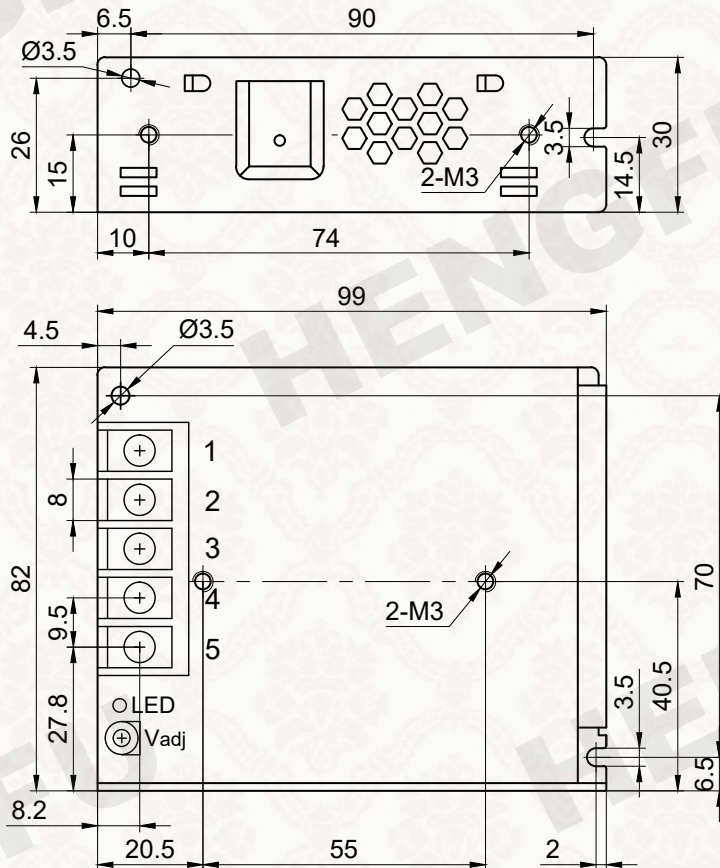
■ **Electrical Specifications 电气规格**

Input Voltage 输入电压	90~264VAC (127~370VDC)	Operating Temperature 工作温度	-30°C ~+70°C (ref. derating curve) (参见减额曲线)
Input Current 输入电流	< 0.8A	Storage Temperature 储存温度	-40°C ~+85°C
Input Frequency 输入频率	47~63Hz	Operating Humidity 工作湿度	20%~93%RH (non condensing)(无凝露)
Inrush Current 启动冲击电流	cold start, 45A/230V 冷启动, 45A/230V	Storage Humidity 储存湿度	20%~95%RH (non condensing)(无凝露)
Input Leakage Current 输入漏电流	< 0.75mA/230VAC	MTBF 平均无故障工作时间	>100,000 hours >100,000 小时
Line Regulation (full load) 电网调整率 (满载时)	± 0.5%	Cooling Method 冷却方式	convection 自然冷却
Voltage Adjust Range 输出电压调节范围	± 10%	Safety Standards 安全标准	UL62368-1, UL60950, EN60950
Output Overload Protection 输出过载保护	105~150%, hiccup mode, auto recovery 打嗝模式, 自恢复	EMC Standards 电磁兼容标准	EN55032 Class B EN55035, EN61000-3-2, 3 EN61000-4-2, 3, 4, 5, 6, 8, 11
Output Over Voltage Protection 输出过压保护	115~150%, shut off, re-power on to recovery 关断模式, 重启恢复	Withstand Voltage 绝缘强度	I/P -O/P: 3.0KVAC/1min I/P - PE: 1.5KVAC/1min O/P-PE: 0.5KVAC/1min
Short Circuit Protection 短路保护	hiccup mode, auto recovery 打嗝模式, 自恢复	Vibration 振动	10~150Hz, 2G 10min / 1cycle, 30min each along X, Y, Z axes 10~150Hz, 2G 10 分钟 / 周期, 30 分钟 / X, Y, Z 轴每个方向
Rise Time 上升时间	50ms@ full load (typical) 50ms@ 满载时 (典型值)	Connection 接线端子	5P/9.5mm screw terminal block 5P/9.5mm 螺丝接线式端子
Hold up Time 保持时间	20ms@ full load (typical) 20ms@ 满载时 (典型值)	Screw/Torque 螺丝 / 扭力	M4/1.2N·m
Mechanical Feature 机械特性	metal enclosed 金属外壳	Wire 接线范围	22-11AWG 4.0mm ²
Dimensions 外形尺寸	99 x 82 x 30mm (L x W x H)(长 x 宽 x 高)	Weight & Packing 重量 & 包装	0.22kgs 每台, 72pcs/17.3kgs/ 0.04CBM per carton 每箱

Model No. 型号	DC Output 直流输出	Rated Power 额定功率	Load Regulation 负载调整率	Voltage Tol. 电压精度	Ripple & Noise 纹波和噪声	Efficiency 效率
HF35W-LSM-3.3	3.3V 7.0A	23.1W	±0.5%	± 1%	80mVp-p	74%
HF35W-LSM-5	5V 7.0A	35.0W	±0.5%	± 1%	80mVp-p	78%
HF35W-LSM-12	12V 3.0A	36.0W	±0.5%	± 1%	120mVp-p	85%
HF35W-LSM-15	15V 2.4A	36.0W	±0.5%	± 1%	120mVp-p	86%
HF35W-LSM-24	24V 1.5A	36.0W	±0.5%	± 1%	150mVp-p	88%
HF35W-LSM-28	28V 1.3A	36.4W	±0.5%	± 1%	200mVp-p	88%
HF35W-LSM-36	36V 1.0A	36.0W	±0.5%	± 1%	200mVp-p	88%
HF35W-LSM-48	48V 0.8A	38.4W	±0.5%	± 1%	200mVp-p	88%

* 3.3~48VDC output all available 其它规格均可定制。

Drawing 安装图纸



注意：
安装螺丝进入
机壳长度≤3mm
螺丝刀扭矩≤0.6N·m

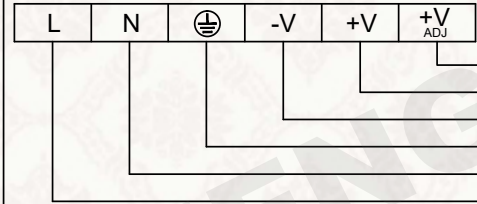
NOTICE:
Mounting screws into
frame max.3mm.
Screwdriver Torque max.0.6N·m

机壳 Frame



Terminal Pin No. Assignment 接线端子排布:

Pin No. 位号	Assignment 排布	Pin No. 位号	Assignment 排布
1	AC/L	4	DC OUTPUT -V
2	AC/N	5	DC OUTPUT +V
3	PE		

L	N	⊕	-V	+V	+V ADJ
					

DC OUTPUT ADJUST 输出电压调节
DC OUTPUT +V 输出正极
DC OUTPUT -V 输出负极
PE 接大地
AC/N 输入零线
AC/L 输入相线

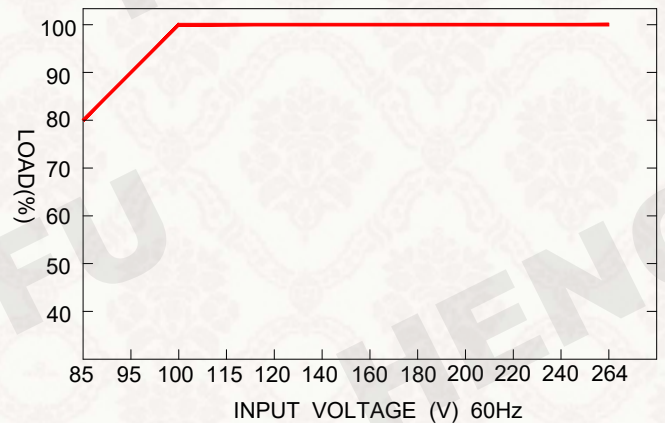
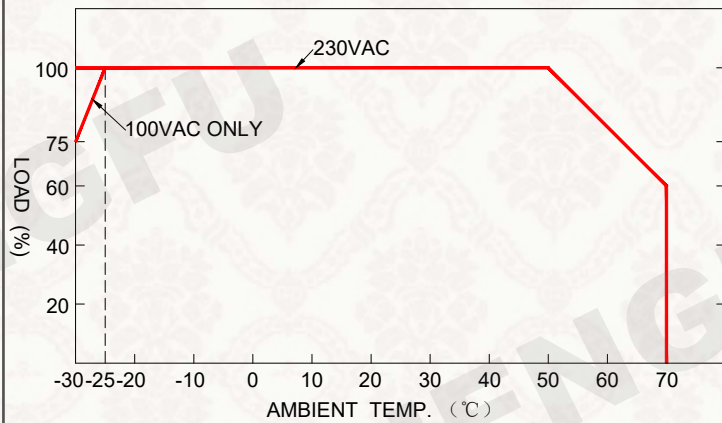
Model Code 型号编码

HF35W-LSM-12

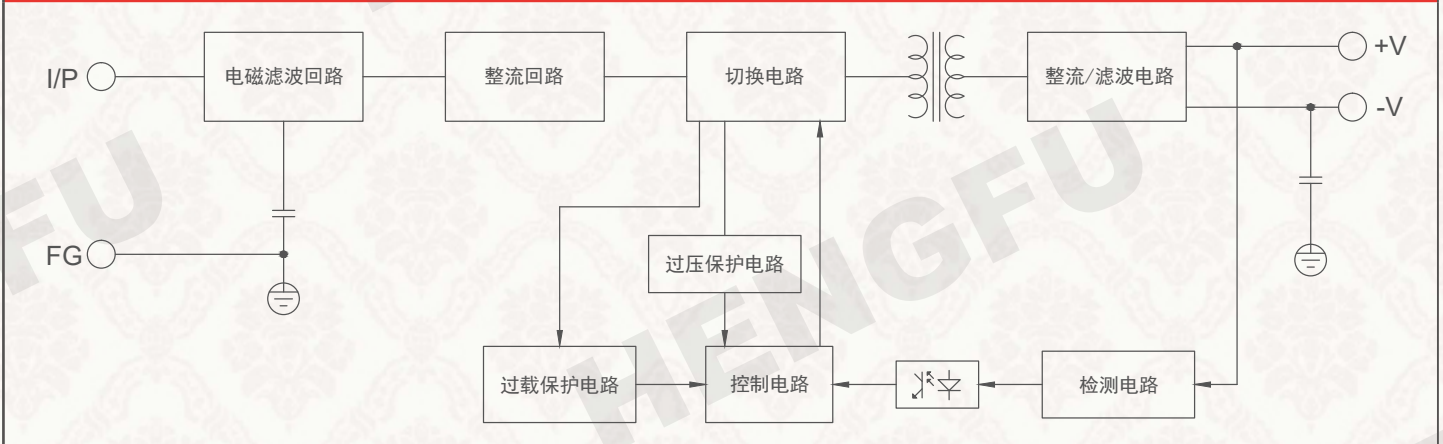
Output voltage 输出电压
Series name 系列名称
Output wattage 输出功率
Abbreviation of company name Hengfu 衡孚缩写

Derating Curve 减额曲线

Static characteristics 静态特性曲线



Block Diagram 方框图



■ Note 备注

- All parameters are measured at 230VAC input, rated load and 25°C ambient temperature.
上述所有参数的测试条件为 230VAC 输入电压，额定负载和 25°C 室温。
- Line regulation is measured from low line to high line at rated load.
电网调整率是在额定负载条件下从低电网到高电网的输出电压变化率。
- Load regulation is measured from 0% to 100% of rated load for single output models.
负载调整率是负载电流从额定负载的 0% 到 100% 变化时的输出电压变化率。
- Ripple & noise are measured at 20MHz of bandwidth by using a 30cm twisted pair-wire terminated with a 0.1uF & 47uF parallel capacitor.
纹波和噪声是用 20MHz 带宽的示波器，通过一根 30cm 长的末端并接 0.1uF 和 47uF 电容的双绞线进行测量的。
- The power supply is regarded as a component which will be installed into the final equipment. The final equipment must be re-confirmed that it still meets EMC directives.
开关电源被视为整机的一个部件。整机是否符合 EMC 指令还需重新测试并验证。
- To learn more about the products, please visit www.hengfu.com to read the relevant contents of Product Instruction Manual and Service Commitment.
如需了解产品的更多信息，请登录公司官网 www.hengfu.com 阅读《产品使用说明及服务承诺》的相关内容。
- For more information, please scan the QR code or call our service hotline at 400-889-1788.
更多资讯请扫描二维码或拨打服务热线：400-889-1788。

