

## 150W Din Rail Power Supply

HF150W-SDR series



CE

### FEATURES

- Universal AC input / full range
- Installed on DIN rail TS35/ 7.5 or 15
- Top international brand components for key parts
- Built-in EMI filter
- Protections: overload/ over voltage/ short circuit
- 5 years limited warranty
- F612DRL 40.6 x 109.6 x 125.2mm

### SPECIFICATIONS

Input Voltage	90~264VAC (120~370VDC)
Input Current	2.6A
Input Frequency	47~63Hz
Inrush Current	cold start, 40A/240VAC
Input Leakage Current	< 1mA/230VAC
Line Regulation (full load)	± 0.5%
Voltage Adjust Range	± 10%
Output Overload Protection	105~150%, hiccup mode, auto recovery
Output Over Voltage Protection	115~150%, shut off, re-power on to recover
Short Circuit Protection	hiccup mode, auto recovery
Rise Time	50ms @full load (typical)
Hold up Time	20ms @full load (typical)
Mechanical Feature	metal housing, din rail mounting
Dimensions	40.6 x 109.6 x 125.2mm (L x W x H)

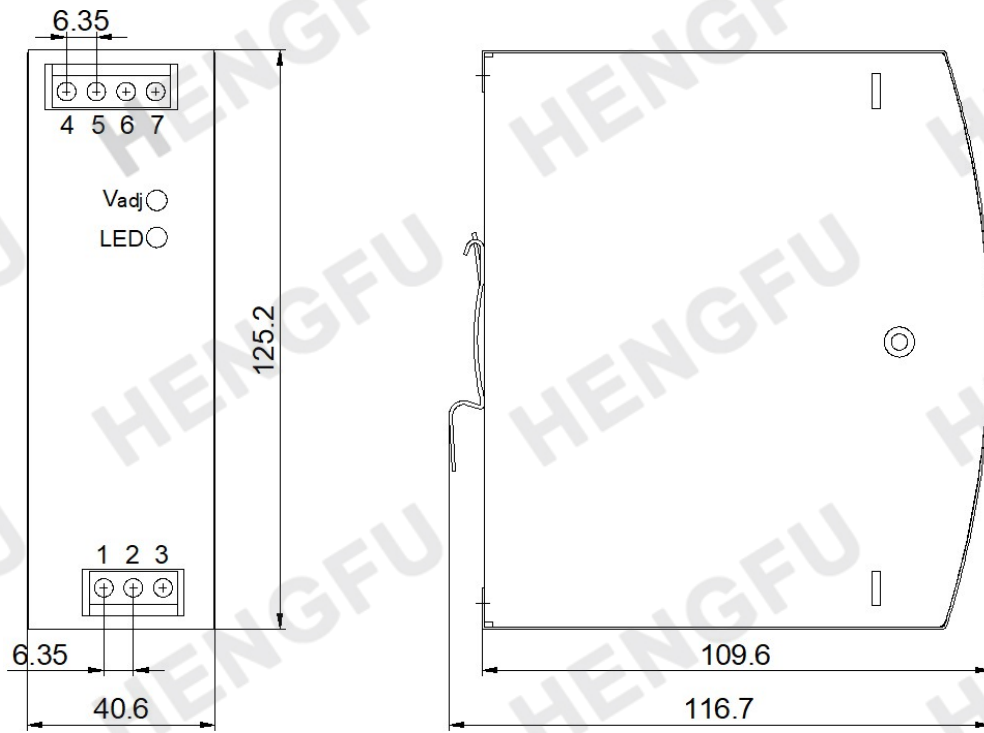
Operating Temperature	-20°C ~+60°C(ref. derating curve)
Storage Temperature	-20°C ~+85°C
Operating Humidity	20%~93%RH(non condensing)
Storage Humidity	20%~95%RH(non condensing)
MTBF	>100,000 hours
Cooling	convection
Safety Standards	EN62368-1
EMC Standards	meet GB9254, EN55022 Class B EN55024, EN61000-3-2,3 EN61000-4-2,3,4,5,6,8,11
Withstand Voltage	I/P -O/P: 3.0KVAC/1min I/P - PE: 1.5KVAC/1min O/P-PE: 0.5KVAC/1min
Vibration	10~150Hz, 2G 10min/1cycle, 30min each along X, Y, Z axes
Connection	3P/6.35mm, 4P/6.35mm pitch screw terminal block
Weight	0.42kgs/pcs

Model No.	DC Output	Rated Power	Load Regulation	Voltage Tolerance	Ripple & Noise (max.)	Efficiency
HF150W-SDR-24	24V 5.2A(115VAC) 24V 6.5A(230VAC)	124.8W(115VAC) 156.0W(230VAC)	0.5%	± 1%	150mVp-p	86%

### NOTE

1. All parameters are measured at 230VAC input, rated load and 25°C ambient temperature.
2. Line regulation is measured from low line to high line at rated load.
3. Load regulation is measured from 0% to 100% of rated load for single output models. For multi-output models, it is measured from 20% to 100% of rated load, and other output at 60% rated load.
4. Ripple & noise are measured at 20MHz of bandwidth by using a 12" twisted pair-wire terminated with a 0.1uF & 47uF parallel capacitor.
5. The power supply is regarded as a component which will be installed into the final equipment. The final equipment must be re-confirmed that it still meets EMC directives.

### Drawing

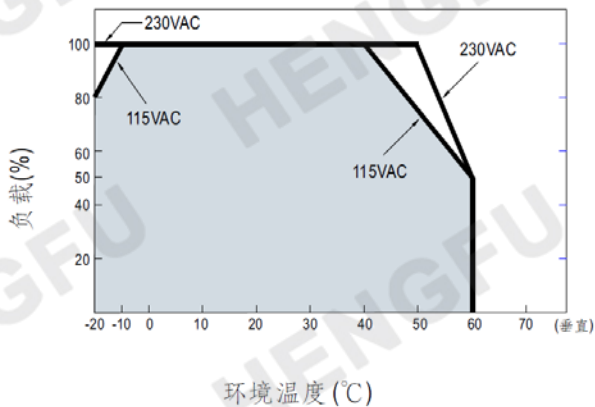


Terminal Pin No. Assignment

Pin No.	Assignment	Pin No.	Assignment
1	PE	4,5	DC OUTPUT -V
2	AC/N	6,7	DC OUTPUT +V
3	AC/L		

### Derating Curve

■ 减额曲线



■ 静态特性曲线

