

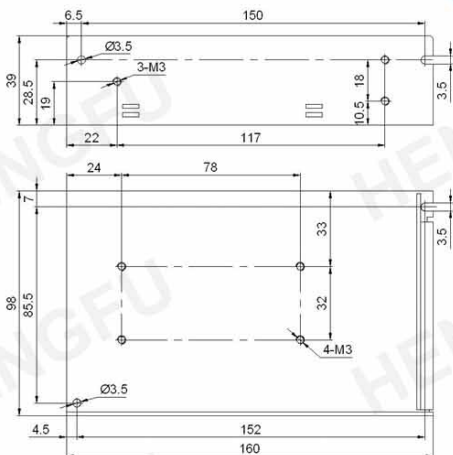
# 55W~70W Dual Output Standard Series



- High reliability, low cost
- Top brand components for key parts
- Built-in EMI filter
- Protections: overload/ short circuit
- 5 years limited warranty
- F605 160 × 98 × 39(mm)

AC input voltage range .....	170~264VAC (210~370VDC)
Inrush current .....	cold start, 40A/230V
Input leakage current .....	< 0.7mA/ 230VAC
Line regulation (full load) .....	≤ ± 0.5%
Voltage tolerance .....	V <sub>1</sub> : ≤ ± 1%, V <sub>2</sub> : ≤ ± 3% (with regulator); ≤ ± 10% (without)
Output voltage adjust range .....	V <sub>1</sub> : ± 5% of rated output voltage
Output overload protection .....	105~150%, hiccup mode, auto recovery
Withstand voltage .....	I/P -O/P:1.5KVAC/1min; I/P-F/G:1.5KVAC/1min; O/P-F/G:0.5KVAC/1min
Rise, Hold up time .....	50ms, 20ms@full load (typical)
Operating temperature .....	-20°C~+50°C
Safety standards .....	design meet GB4943, UL60950, EN60950
Cooling method .....	convection

Model	DC Output		R&N	Efficiency
HF55W-D-A	5V	0.5~7.0A	80mV	77%
	12V	0.0~2.0A	120mV	
HF55W-D-B	5V	0.5~6.0A	80mV	76%
	24V	0.0~2.0A	150mV	
HF55W-D-L	15V	0.4~2.0A	120mV	78%
	-15V	0.0~2.0A	120mV	
HF55W-D-S	12V	0.4~2.3A	120mV	75%
	-12V	0.0~2.3A	120mV	
HF55W-D-V	24V	0.2~1.2A	150mV	79%
	-24V	0.0~1.2A	150mV	
HF70W-D-F	24V	0.5~2.5A	150mV	85%
	5V	0.0~2.0A	100mV	
HF70W-D-G	24V	0.5~2.5A	150mV	81%
	12V	0.0~2.0A	120mV	
HF70W-D-H	5V	0.5~3.0A	100mV	75%
	24V	0.0~2.0A	150mV	



F605