

# 350W Single Output M Series



**New**

## Features:

- Compact size design, high reliability
- Top brand components for key parts
- Built-in EMI filter
- Protections: overload/ over voltage/ short circuit/ over temperature
- 5 years limited warranty

Model No.	HF350W-SM
Dimension (mm)	F635SM: 199×98×50
Weight & packing (/CTN)	0.71kg, 20pcs
AC input voltage range	170~264VAC (210~370VDC)
Input frequency	47~63Hz
Inrush current	cold start, 60A/230VAC
Input leakage current	< 0.7mA/ 230VAC
Line regulation (full load)	≤ ± 0.5%
Voltage adjust range	± 10%
Overload protection	105~130%, shut off, re-power on to recover
Over voltage protection	115~150%, shut off, re-power on to recover
Withstand voltage	I/P -O/P: 3.0KVAC/1min I/P -F/G: 1.5KVAC/1min O/P-F/G: 0.5KVAC/1min
Rise time	50ms@full load (typical)
Hold up time	20ms@full load (typical)
Operating temperature	-20°C~+50°C
Safety standards	design meet GB4943, UL60950, EN60950
Cooling method	fan

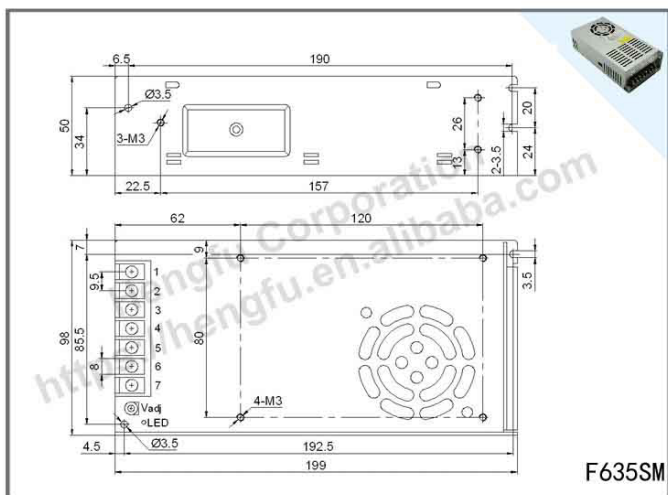
## 350W Single Output

CE (LVD)

Model	DC Output		Load regul.	R&N	Efficiency
HF350W-SM-12	12V	29.0A	0.5%	150mV	80%
HF350W-SM-15	15V	23.0A	0.5%	150mV	81%
HF350W-SM-24	24V	14.6A	0.5%	150mV	84%
HF350W-SM-36	36V	9.7A	0.5%	200mV	86%
HF350W-SM-48	48V	7.3A	0.5%	240mV	86%

\* 12~48VDC output all available.

## Drawing



F635SM